

PRODUCT FEATURES



- Wide input voltage range 15 to 36Vdc
- Version available
 - TSP – For use with single twisted pair up to 500mts length
 - ETH – For use with 100/1000M ethernet
- Full HD 1080P 30 FPS 1/2,5" Sony Sensor with 8,5MP
- H264 video compression at High Bitrate (>20Mbit)
- Low glass to glass video latency (<200ms)
- Wide 70° Field of View in water
- SCU equipped with HDMI output and Zoom/Focus controls
- 5X Optical Zoom equipped with P-iris with Manual & Autofocus
- 2000m depth rating
- Two year manufacturers warranty (extended options available)
- Fully compatible with the Seaeye Falcon and Digital Edge DVR

Applications: ROVs, AUVs and general underwater use



PART NUMBER

Format: CAM-1K200-XXX

Type	Model	Medium
CAM	1K200 (Full HD 1080P30)	TSP: Single twisted pair up to 500mts lenght
		ETH: 100/1000M Ethernet

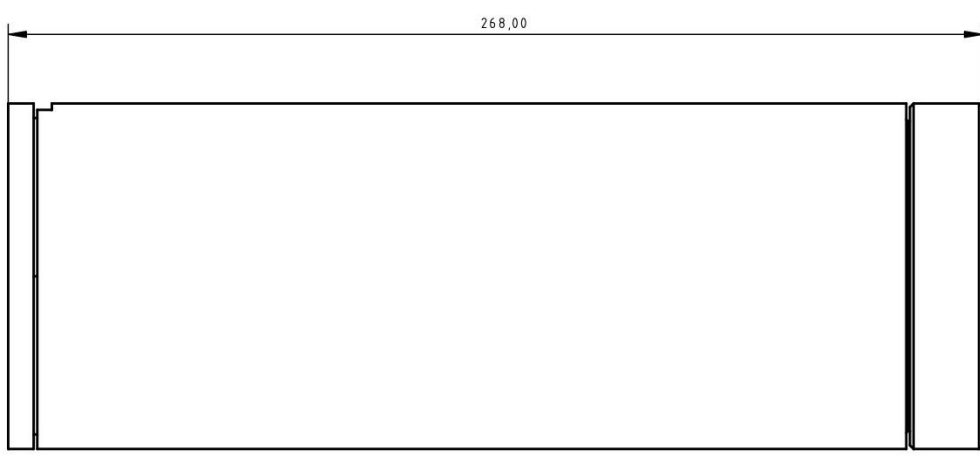
SPECIFICATIONS

Electrical	CAMERA Input power SCU Input power	15 to 36Vdc @ 1000mA (Max) 110-220Vac 50/60hz @ 400mA (Max)
Performance	Output resolution over HDMI Video compression Streaming bitrate Sensitivity	FULL HD 1080P 30FPS H264 20 Mbit 0.2 lux @ F 1.6
Working condition	Depth Rating Storage Temperature Operating Temperature Housing Material	2000m -20°C to +70°C -10°C to +40°C Hard anodized 6061 aluminium
Optical	Lens Zoom FOV in water Iris control Focus control Focus range	PMMA 5x Optical Horizontal: 70° Automatic P-Iris Remote manual and autofocus Front port to infinity (at wide angle) 800mm to infinity (at narrow angle)
Mechanical	Dimensions Weight Housing Material Standard Connector	Diameter: 95mm – Length: 268mm (excl. connector) 2Kg in air (1.1Kg in water) Hard anodized 30um aluminum 6061 For TSP model Birns FAWL-BH4M (Seaeye compatible) For ETH model Birns FAWM-BH10M Custom connectors on request

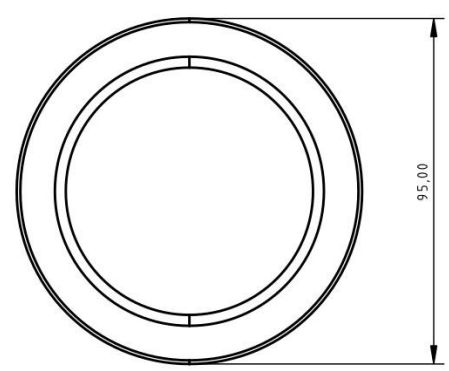
Specifications subject to change without notice.

OVERALL DIMENSIONS

LATERAL

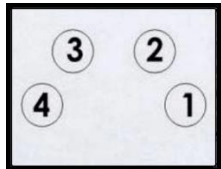


FRONT



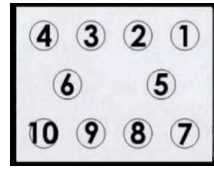
TYPICAL PINOUT

FAWL-BH4M



- Pin 1 = Tsp data
- Pin 2 = Power gnd
- Pin 3 = Tsp data
- Pin 4 = Power Positive (15 to 36Vdc)

FAWM-BH10M



- Pin 1 = White/Orange
- Pin 2 = Orange
- Pin 3 = White/Green
- Pin 4 = Blue
- Pin 5 = White/Blue
- Pin 6 = Green
- Pin 7 = White/Brown
- Pin 8 = Brown