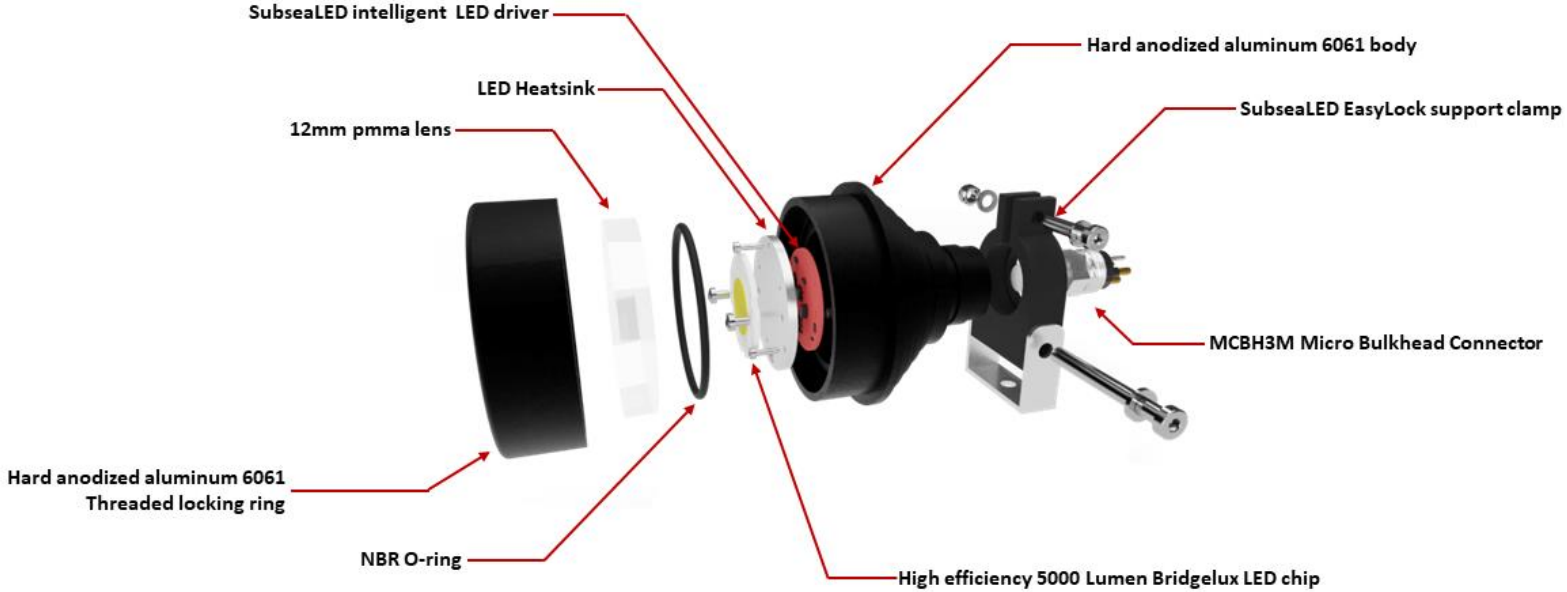


PRODUCT FEATURES



- High Efficiency BRIDGELUX Led COB
- Color Rendering Index > 90
- Equipped with our “State Of Art” Led driver
- Wide input voltage range
- Flicker free dynamic intensity control
- Analogue and serial intensity control options
- Wide 120° diagonal beam angle
- Various LED colour temperatures available
- 3000m depth rating
- Compact and rugged design
- Supplied with our “EasyLock” mounting bracket
- Two year manufacturers warranty (extended options available)
- Fully customizable on client request

Applications: ROV, AUV, Diver and general underwater use



PART NUMBER

Format: LED-5000-XX-XXX

Type	Typical Luminous Flux	Max Input Voltage	Control Type
LED	5000: 5000 Lumen (CRI 80)	24: 24Vdc	005: 0-5 Vdc
			010: 0-10 Vdc
			024: 0-24 Vdc
			PWM: Servo PWM 1100uS – 1900uS (Bluerov2 compatible)
			485: Half Duplex RS-485 (Custom string)
			ONF: Simple ON-OFF
			2WI: Power and dimming over 2 Wire (0% at 12Vdc – 100% at 24Vdc)
		48: 48Vdc	005: 0-5 Vdc
			010: 0-10 Vdc
			024: 0-24 Vdc
			PWM: Servo PWM 1100uS – 1900uS
			485: Half Duplex RS-485 (Custom string)
			ONF: Simple ON-OFF
			FAL: Seaeeye Falcon compatible

SPECIFICATIONS

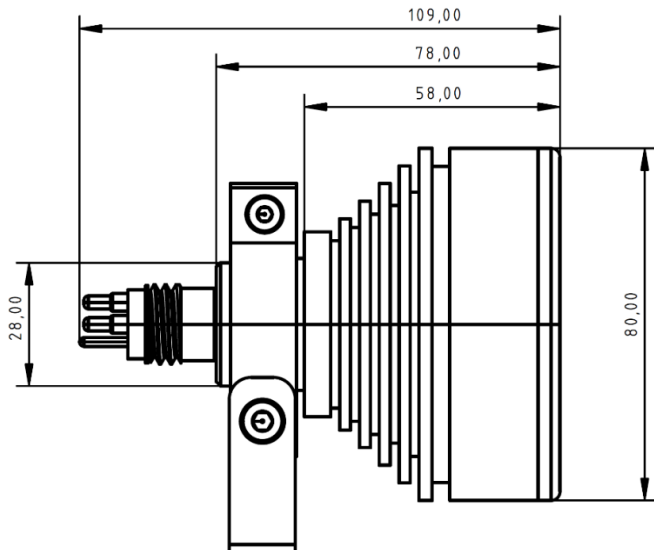
Electrical	Input power	LED-5000-24-XXX LED-5000-48-XXX	3500 mA @ 12Vdc min. 1400 mA @ 24Vdc max. 1000mA @ 36Vdc min. 750mA @ 48Vdc max.
Working condition	Depth Rating Storage Temperature Operating Temperature Housing Material	3000m -20°C to +70°C -10°C to +40°C Hard anodized 6061 aluminium	
Optical	Window CRI (color rendering index) Beam Angle Typical Colour Temperature Lumen Maintenance	PMMA 80 (90 available on request) 120 Degrees 5000 Kelvin (other options available) 60,000 hours	
Mechanical	Models Dimensions Weight Thermal Cut-off * Typical Beam Angle Standard Connector	All 5000 Series 80mm (front-end), 28mm (body) (d) x 78mm (l) (excluding connector) 450gr in air (210gr in water) Yes 120° MCBH3M (other connectors available on request)	

Specifications subject to change without notice.



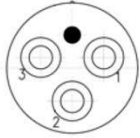
* WARNING: Unit surface may become very hot to the touch during operation. Do not operate the unit in Air for more than 5 minutes.

OVERALL DIMENSIONS



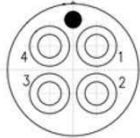
TYPICAL PINOUT

MCBH-3M



Pin 1 = 0V
 Pin 2 = Power
 Pin3 = Analog Control or PWM

MCBH-4M



Pin 1 = 0V
 Pin 2 = Power
 Pin3 = RS-485- A
 Pin4 = RS-485- B